

# TELEVOX Diver Intercom System - HDC/T-R3

layout and connections option 3 version

**Article number** : 5607.0125 + 5607.0128

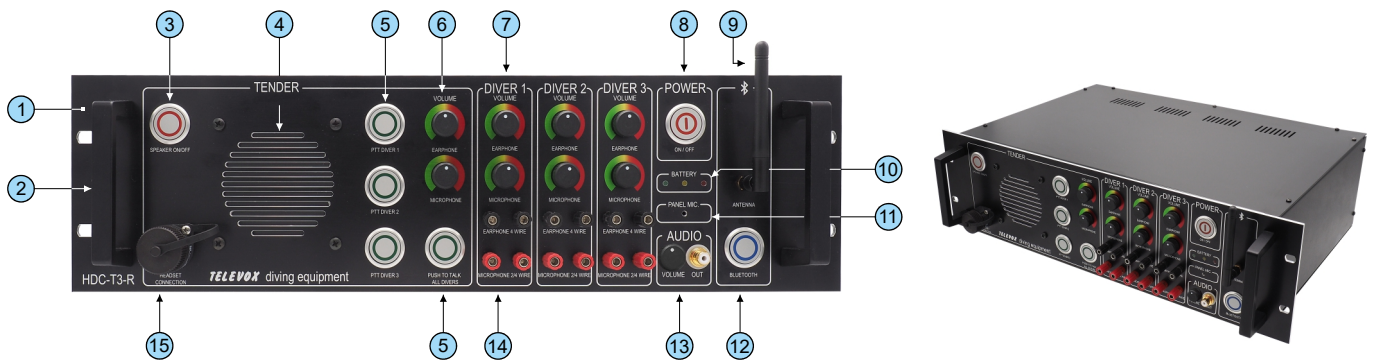
**Description** : Diver intercom in 19 inch rack version with tape out option, type HDC/T-R3

**Application** : Communication system between divers and tender during underwater diving

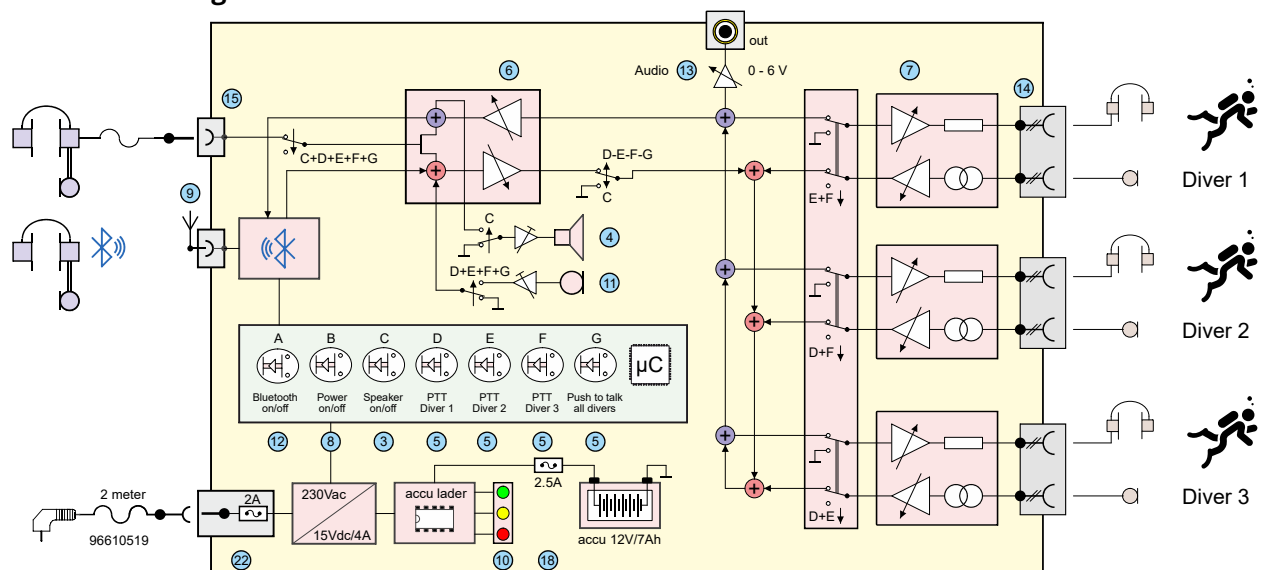
## Properties

- |   |   |
|---|---|
| ① + 19 inch rack housing, dim.: W483/440 x D290 x H133 mm   | ⑨ + antenna for the Bluetooth headset                         |
| ② + handles   | ⑩ + battery charge indication for the optional backup battery |
| ③ + speaker on-off switch, turns off the wired headset      | ⑪ + panel microphone for call participation without a headset |
| ④ + monitor speaker for following the conversation          | ⑫ + BlueTooth pairing button, press for 4 seconds to pair     |
| ⑤ + talk buttons to the divers, press to speak              | ⑬ + tape out for speech recording with volume control 0 - 6 V |
| ⑥ + volume control of the headsets and the panel microphone | ⑭ + red : 2 wire ; red + black : 4 wire connection of divers  |
| ⑦ + volume control to and from the diver                    | ⑮ + connection for wired headset for call participation       |
| ⑧ + illuminated on/off switch                               |   |

## Front layout



## Functional block diagram



# TELEVOX Diver Intercom System - HDC/T-R3

layout and connections option 3 version

**Article number** : 5607.0125 + 5607.0128

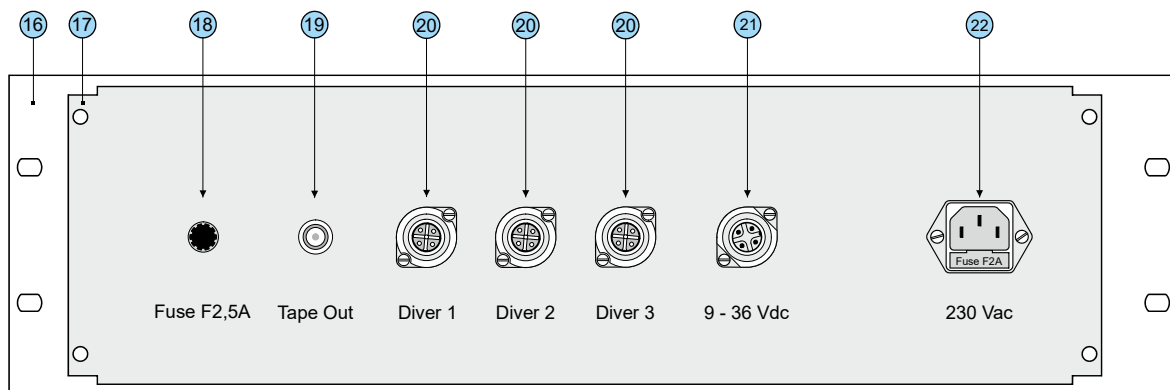
**Description** : Diver intercom in 19 inch rack version, type HDC/T-R3

**Application** : Communication system between divers and tender during underwater diving

## Properties

- |   |  |
|---|--|
| ⑩ + 19 inch rack rear view  | ⑳ + divers connections, parallel with front connections<br>..... option-1 : 56070126 |
| ⑪ + rear panel with connections   |  |
| ⑫ + fuse holder for 5 x 20 mm glass fuses for battery option                              | ㉑ + connection for mobile power supply<br>..... option-2 : 56070127                  |
| ⑬ + RCA chassis socket for conversation recording (tape out)<br>..... option-3 : 56070128 | ㉒ + connection for mains voltage with fuse   |

## Rear layout



## Connections

