

TELEVOX Diver Intercom System - HDC/T-R3

layout and connections

Article number : 5607.0125

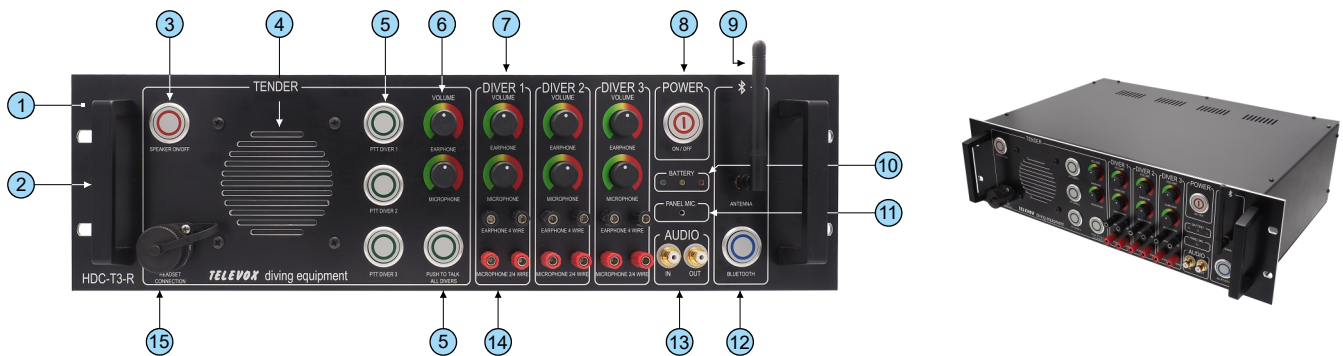
Description : Diver intercom in 19 inch rack version, type HDC/T-R3

Application : Communication system between divers and tender during underwater diving

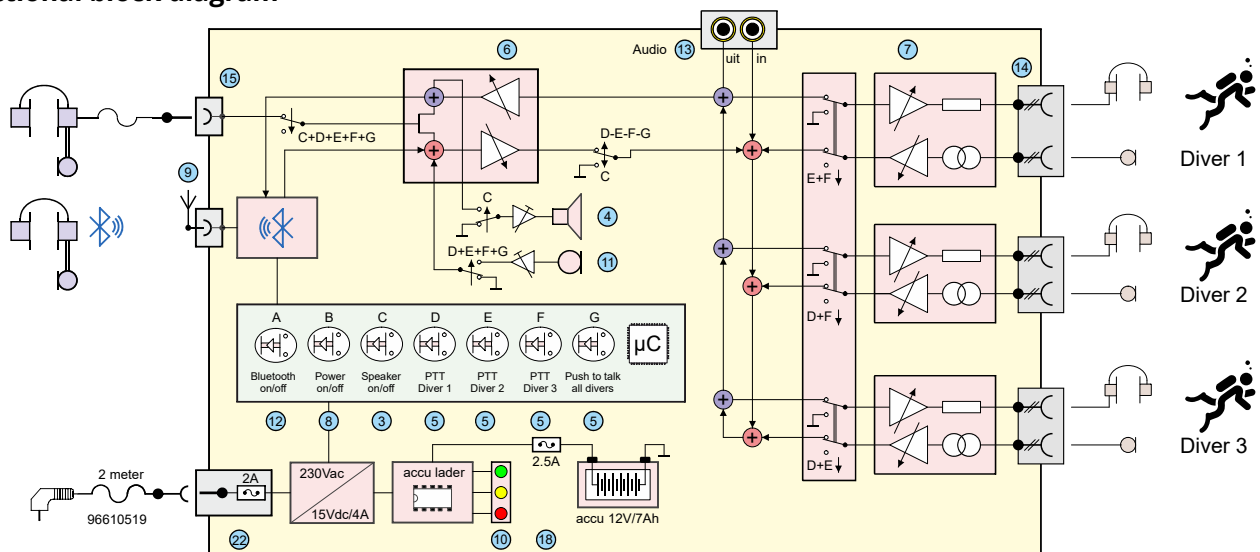
Properties

- | | |
|---|--|
| ① + 19 inch rack housing, dim.: W483/440 x D290 x H133 mm | ⑨ + antenna for the Bluetooth headset |
| ② + handles | ⑩ + battery charge indication for the optional backup battery |
| ③ + speaker on-off switch, turns off the wired headset | ⑪ + panel microphone for call participation without a headset |
| ④ + monitor speaker for following the conversation | ⑫ + BlueTooth pairing button, press for 4 seconds to pair |
| ⑤ + talk buttons to the divers, press to speak | ⑬ + 0dB audio in to the divers, 0dB audio out for speech recording |
| ⑥ + volume control of the headsets and the panel microphone | ⑭ + red : 2 wire ; red + black : 4 wire connection of divers |
| ⑦ + volume control to and from the diver | ⑮ + connection for wired headset for call participation |
| ⑧ + illuminated on/off switch | |

Front layout



Functional block diagram



TELEVOX Diver Intercom System - HDC/T-R3

layout and connections

Article number : 5607.0125

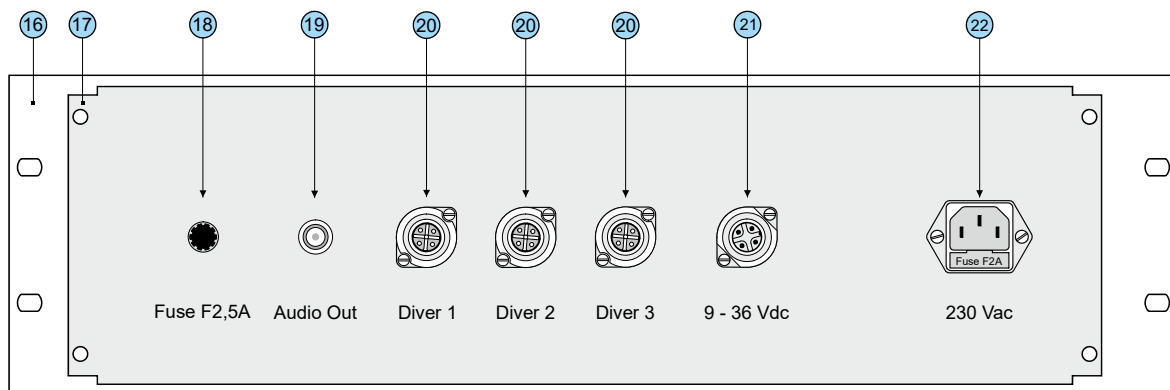
Description : Diver intercom in 19 inch rack version, type HDC/T-R3

Application : Communication system between divers and tender during underwater diving

Properties

- | | |
|--|--|
| ①⑥ + 19 inch rack rear view | ②① + connection for mobile power supply
..... option-2 : 56070127 |
| ①⑦ + rear panel with connections | ②② + connection for mains voltage with fuse |
| ①⑧ + fuse holder for 5 x 20 mm glass fuses for battery option
..... option-3 : 56070128 | |
| ②① + divers connections, parallel with front connections
..... option-1 : 56070126 | |

Rear layout



Connections

