

System elements for Neurokom IP intercoms

Article number : 3086.0614
Description : Intercom station with camera and touch screen, type GNI/GL 950-VIR
Usage : For the Neurokom intercom system

Characteristics

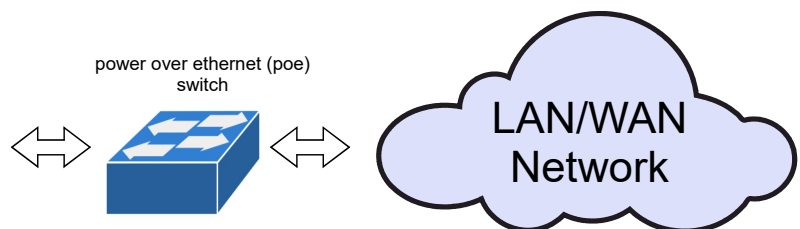
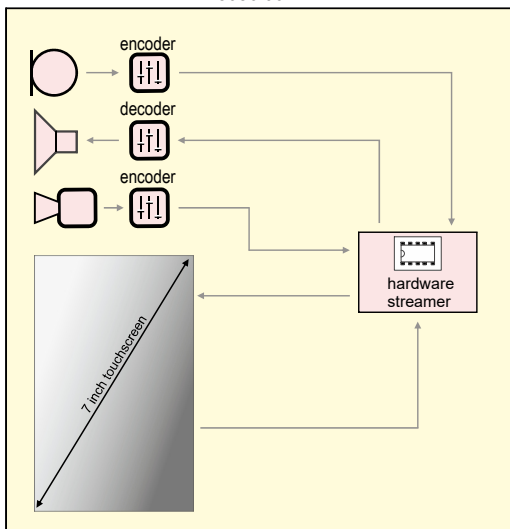
- | | |
|--|--|
| ① + stainless steel front with camera, mic. and loudspeaker. | + dimensions front plate : H596 x W171 x D3 mm |
| ② + 7 inch touchscreen display | ④ + surface-mount housing GL-AG2 (up to GL-AG7) optional |
| ③ + video camera 2Mp/30 FPS, 110° angle of view and IR LEDs | ⑤ + flush-mounted housing GL-UG2 (up to GL-UG7) optional |
| + power supply via PoE / class 0 | ⑥ + installation set, type HWM-UPK10/UG900 optional |
| + compatible with SIP products | |

View



Technical

3086.0614



Network protocols:
 IP, TCP, UDP, ARP, IGMP, SIP, RTP, HTTP, TFTP
 available as an option: SNMP

Frequency range:
 codec dependent, limited by speakers
 G711 / 3,4 kHz- G722 / 7 kHz.
 available as an option:
 PCM32 / 15 kHz- PCM44 / 21 kHz.